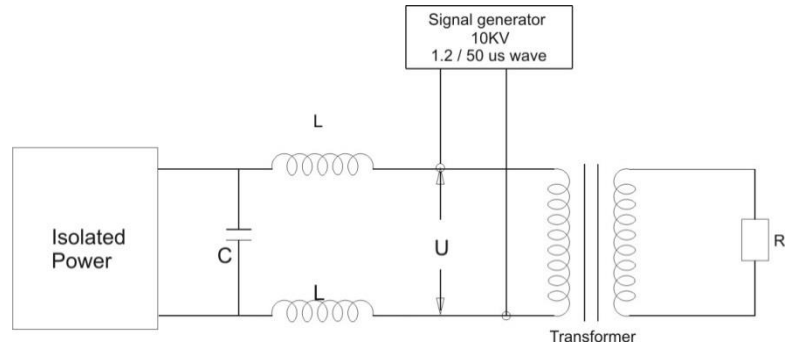


2.0VA SURGE PROTECTED TRANSFORMER EI30-12.5

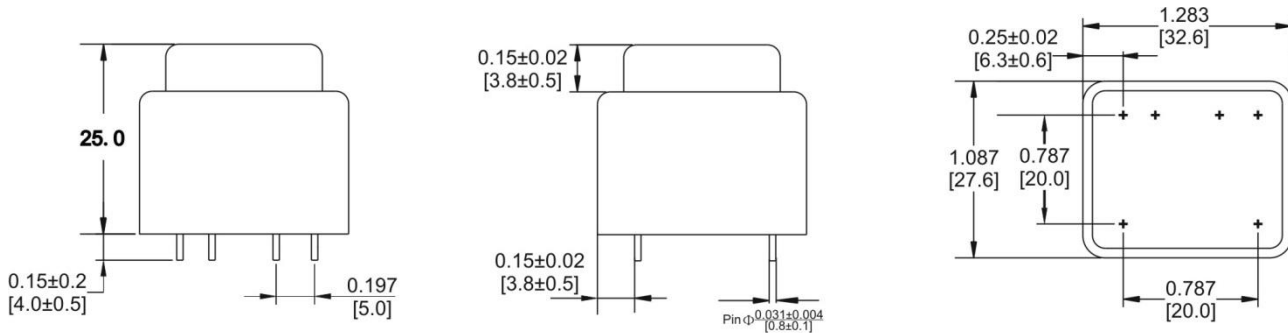
FEATURES

- Withstand 10KV surge test.
- Encapsulated Design Prevent dust and humidity
- Self-Extinguishing Plastic 94V-0
- High efficiency, Low Temperature Rise
- Dielectric Strength 4200VAC
- Class B (130° C) insulation material.
- Operating temperature from -40 ° C to 50° C
- Storage temperature from -40 ° C to 120° C
- Design according to IEC61588

SURGE TEST SCHEMATIC:



OUTLINE DIMENSIONS



OUTLINE DIMENSIONS

Order Number	Input Voltage (V)	SEC. Voltage (V)	Rated Current (mA)	Rated Power (VA)	No-load Voltage (V)	Ambient TEMP. (°C)	Surge Voltage	Weight (g)
HS301S06020	115V	6	333	2.0VA	10.4	T 50 B	10KV	80
HS301S09020	115V	9	222	2.0VA	14.5	T 50 B	10KV	80
HS301S10020	115V	10	200	2.0VA	15.5	T 50 B	10KV	80
HS301S12020	115V	12	167	2.0VA	20.7	T 50 B	10KV	80
HS301S15020	115V	15	133	2.0VA	25.8	T 50 B	10KV	80
HS301S18020	115V	18	111	2.0VA	30.8	T 50 B	10KV	80
HS301S24020	115V	24	83	2.0VA	41.4	T 50 B	10KV	80
HS302S06020	230V	6	333	2.0VA	10.4	T 50 B	10KV	80
HS302S09020	230V	10	222	2.0VA	14.5	T 50 B	10KV	80
HS302S10020	230V	9	200	2.0VA	15.5	T 50 B	10KV	80
HS302S12020	230V	12	167	2.0VA	20.7	T 50 B	10KV	80
HS302S15020	230V	15	133	2.0VA	25.8	T 50 B	10KV	80
HS302S18020	230V	18	111	2.0VA	30.8	T 50 B	10KV	80
HS302S24020	230V	24	83	2.0VA	41.4	T 50 B	10KV	80